

## PLUG-IN DETECTOR BASE SIX INCH

### DESCRIPTION

The Six Inch Detector Base, P/N 63-1054/63-1060, is designed for use with any of Fike's intelligent CyberCat®/Cheetah® Xi plug-in detectors. The base is approximately 2 inches (5.08 cm) larger than the detector head. The base mounts directly to a 3 ½ inch and 4 inch octagon boxes, 4 inch square boxes (with or without plaster ring) and single gang boxes. The base provides terminals for connection of an optional remote LED annunciator, P/N 02-3868. The isolator version, P/N 63-1060, provides complete short circuit isolation for NFPA 72, Class X wiring.

### SPECIFICATIONS

Diameter: 6.1" (155 mm);  
Wire Gauge: 12 to 18 AWG (0.9 to 3.25 mm<sup>2</sup>)

### ORDERING INFORMATION

Fike P/N	Mfg. Model	Description
<b>Mounting Bases</b>		
63-1054	EBF	6" Flangeless Mounting Base - Non-isolator
63-1060	EBFI	6" Flangeless Mounting Base - Isolator
<b>Accessories</b>		
20-1085	F110	Retrofit Flange
02-3868	RA100Z	Remote LED Annunciator
20-1087	XR2B	Detector Removal Tool
02-4986	XP-4	Extension for 20-1087 (5-15 ft)
20-1089	BCK-200B	Black Detector Kit (10 pack)
55-051	EA-CT	IR Tool
<b>Compatible Sensors</b>		
63-1052	63-1052	Photo - Non-isolator
63-1058	63-1058	Photo - Isolator
63-1053	63-1053	Photo/Heat - Non-isolator
63-1059	63-1059	Photo/Heat - Isolator
60-1039	60-1039	Heat - Non-isolator
60-1040	60-1040	Heat - Isolator
67-033	67-033	Ion - Non-Isolator
67-034	67-034	Ion - Isolator

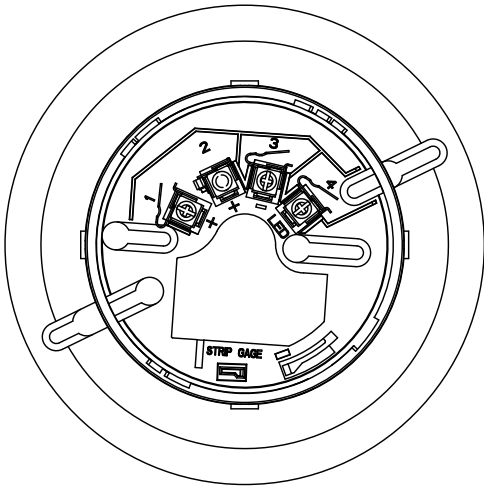


### APPROVALS:

- UL - S911
- FM
- City of New York - 9-05-E
- CSFM - 7300-0900:0138



## TERMINAL LAYOUT



## TERMINAL DEFINITIONS

No.	Function
T1	(+) SLC in/out 63-1054, (+) SLC in only on 63-1060
T2	No Connection 63-1054, (+) SLC out 63-1060
T3	(-) SLC in/out, (-) Remote Annunciator
T4	(+) Remote Annunciator