

VISTA-128FB/V128FB-24

COMMERCIAL FIRE AND
PARTITIONED ALARM PLATFORM



Designed to integrate seamlessly with CCTV, access control and Honeywell's full range of fire and burglary components, the VISTA-128FB provides the ultimate protection of life and property. The UL listed Commercial Fire and Burglary Control Platform controls up to eight partitions and supports up to 128 zones/points using hardwired, wireless and addressable V-Plex® technologies.

A diverse line of Honeywell initiating devices, notification circuits, digital dialers, keypads, RF receivers and relays support this extremely powerful control platform.

The VISTA-128FB has been designed to mount quickly and easily in an attack resistant cabinet and is available in 12V and 24V models.

FEATURES

- Supports addressable V-Plex access control points using VistaKey (1 to 8 doors)
- Supports up to 15 doors of access control using Vista Gateway Module (VGM)*
- Supports CCTV applications with the new VistaView-100 CCTV switcher module
- Identifies the point or zone of a fire or alarm, using the new FSA-8/ FSA-24 Fire system annunciator
- Stores up to 512 events and can accommodate 150 user codes
- New E2 software simplifies programming
- Easily programmed and maintained with newly upgraded Compass Downloader software
- Eight hardwired zones standard, expandable to 120 V-Plex addressable points/zones or 128 wireless points/zones
- Can control eight separate areas independently (8 partitions)
- Two on-board notification (bell) circuits delivering 2.3A @ 12V or 3.4 amp @ 24V
- Automatic smoke detector sensitivity maintenance testing

* Connects to Honeywell's Passpoint Access Control Systems. Maximum 32 doors.

VISTA-128FB/V128FB-24

COMMERCIAL FIRE AND PARTITIONED ALARM PLATFORM

Honeywell

SPECIFICATIONS:

• Cabinet dimensions

- 18"H X 14.5"W X 4.3"D

• Environmental

- Storage temp: -14°F to 158°F (-10°C to 70°C)
- Operating temp: -32°F to 122°F (0°C to 50°C)
- Humidity: 85% RH

• EMI

- Meets or exceeds the following requirements:
- FCC Part 15, Class B Device
- FCC Part 68
- IEC EMC Directive

• Agency Listings

Burglary

- UL609 Grade A Local Mercantile Premises and
- Mercantile Safe and Vault
- UL611/1610 Grades A, AA, Central Station
- UL365 Grades A, AA Police Connect

• Fire

- UL864 FPA72 Local, Central Station and Remote Station
- Factory Mutual
- California State Fire Marshal
- MEA
- UL985

• Additional Features

- Notification Appliance Circuits (two)
 - Programmable
 - Temporal code compliant
 - Individually silenceable
- Programmable on-board auxiliary relay
 - SIA false alarm reduction features:
 - Exit Error Logic
 - Exit Delay Reset
 - Cross Zoning
 - Call Waiting Defeat
 - Recent Close Report

- Supports commercial hardwired, addressable V-Plex polling loop and wireless zones

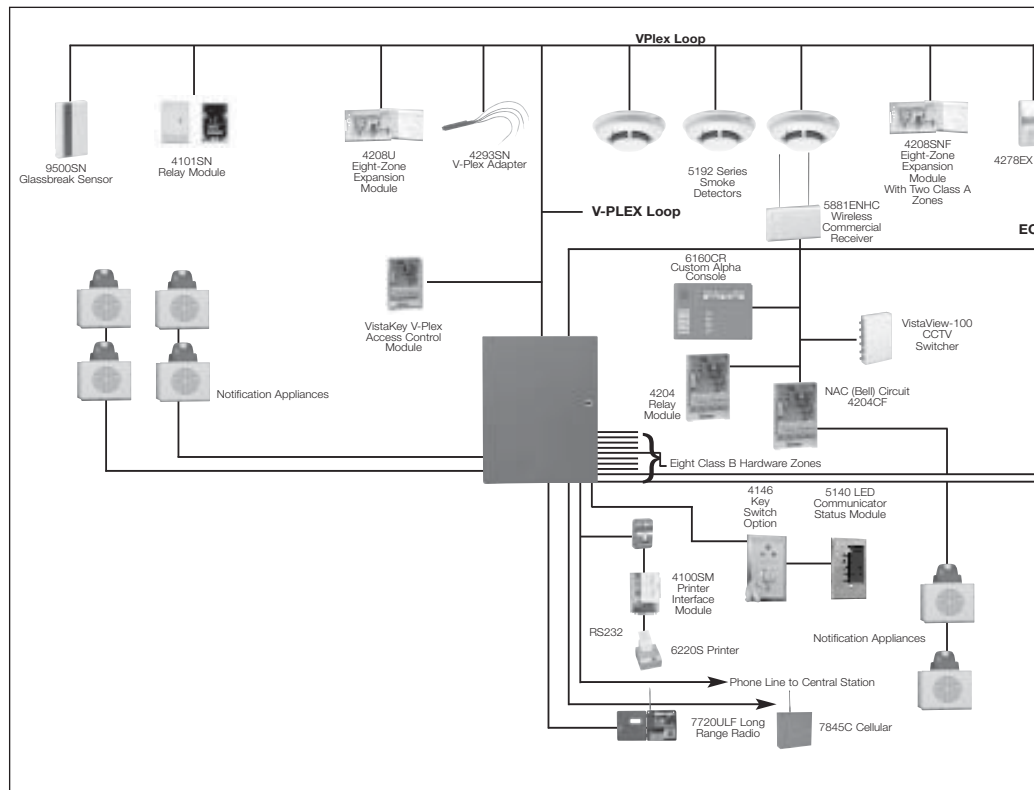
- Hardwired zones:

- Provides nine style B hardwired zones
- EOLR supervised for Fire and UL burglary installations
- Supports N.O or N.C. sensors
- Individually assignable to one or all eight partitions
- Up to 16 two-wire smoke detectors each zone 1 and 2 (32 total)
- Up to 50 two-wire glass break detectors on zone eight

- Patented addressable V-Plex polling loopV-Plex technology:

- Supports up to 120 two-wire zones/points
- Global polling technology for faster processing

- Increased current draw capacity (128mA)
- Supervised by panel
- Individually assignable to partitions, notification circuit (bell) output or aux relay
- 4,000 ft capability without the use of shielded cable
- Extender/Isolation bus module
- Two-wire smoke detector zone/group expansion module adds two or four zones
- Eight zone - Class A and B Extender Module
- One zone supervised Contact Monitor Module
- UL Listed wireless expansion
 - Supports up to 128 wireless zones using 5881 Receiver
 - Supervised by control for check-in signals



VISTA-128FB/V128FB-24

COMMERCIAL FIRE AND PARTITIONED ALARM PLATFORM

Honeywell

SPECIFICATIONS:

- Tamper protection for transmitter
- Individually assignable up to eight partitions
- Supports UL864 FPA approved wireless smoke detectors
- Access control integration
 - Full integration with PassPoint
 - Access Control System Complete Gateway in access functions
- Event reporting
- Local printer of access or VISTA related event
- Scheduled uploading of events to central station
- Stored events for one call retrieval
- Communication
 - Phone mapping by zone response type
 - Supports VIP Interactive Phone

- Voice Module
- Panel operation during download
- Uploading equipment list to central station
- Communication to PassPoint via Vista Gateway Module (VGM)

• Applications

Supported by a diverse line of Honeywell initiating devices, the powerful VISTA-128FB is the ideal integrated fire and burglary control for applications where a higher level of security is necessary including medical and professional buildings, supermarkets, churches and synagogues, office buildings, schools, universities, strip malls, larger residences and factory or warehouse environments.

• Installation

The VISTA-128FB alarm system has been designed to mount both quickly and easily in an attack resistant cabinet. It meets all applicable requirements for UL commercial burglary installations.

• Electrical:

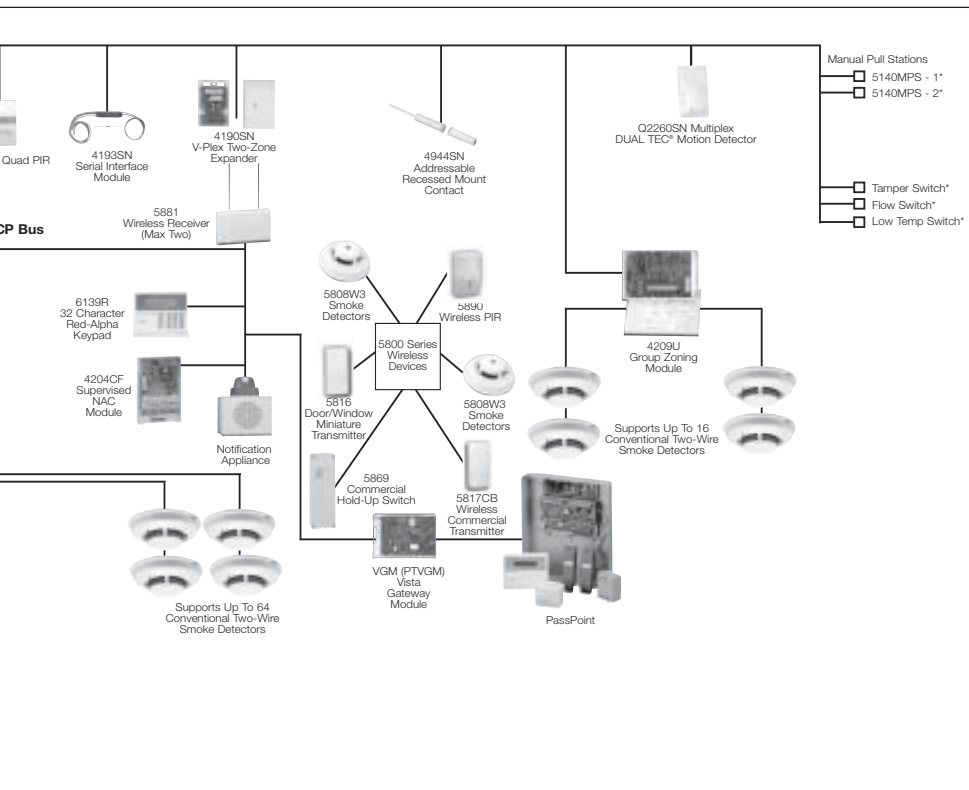
- Primary power:
 - 18 VAC@ 72 VA No. 1450
 - Quiescent current draw:
 - 350mA
- Backup battery
 - 12VDC, 12AH min to 34AAH max
 - Lead acid battery (gel type)
- Alarm power
 - 12VDC, 1.7A max for each notification (bell) circuit output
- Aux. standby power
 - 12VDC, 1A max
- Total power
 - 2.3A at 12VDC, 3.4A at 24VDC from all sources
- Standby time
 - 24 hours with 1A standby load or 60 hours with 205mA max standby load using 34AAH battery
- Fusing
 - Battery input, aux. and notification (bell) circuit outputs are protected using PTC circuit protectors. All outputs are power limited.
- Main dialer
 - Line seize:
 - Double Pole

• Ringer equiv.

- 0.713

• Formats

- ADEMCO Low Speed, ADEMCO 4+2 Express, ADEMCO High Speed, ADEMCO Contact ID, Sescoa and Radionics



VISTA-128FB/V128FB-24

COMMERCIAL FIRE AND PARTITIONED ALARM PLATFORM

SPECIFICATIONS:

• Auxiliary devices

- 6160CR Alpha Keypad
Commercial Fire
- 6139R - Red Alpha
Keypad/Annunciator
- FSA-8 & FSA-24 Fire System
Annunciator
- 4204 - Relay Module, four form C
contacts
- 4204CF - Two supervised output
circuits
- 6220S - System printer used with
4100SM Serial Interface Module
- 5140DLM, FSA-8, FSA-24,
FSAKSM Fire Annunciator

• Two-wire and four-wire smoke detectors conventional

- System Sensor smoke detectors

• Horn/Strobes

- System Sensor notification appliances

• Manual pull stations

- 5140MPS-1
- 5140MPS-2

• V-Plex (addressable) devices

- 4101SN Single Relay/Zone Module
- 4190SN Remote Point Module -
two zones
- 4190WH Two Point Multiplex RPM
- 4193SN Two Zone Serial Interface
Module
- 4208U Loop Expansion Module -
eight zones
- 4208SNF Class A/13 Expander
Module

- 4209U Group Zoning Module -
two/four zones
- 4293SN One Zone Serial Interface
Module
- 4297 Isolation/Extender Module

• V-Plex (addressable) smoke detectors

- 5192SD
- 5192SDT

• Passive infrared detectors

- 998MX
- 4275EX-SN
- 4278EX-SN
- Quest 2260SN

• V-Plex (addressable) contacts

- 4939SN-WH
- 4944SN-WH
- 4959SN

• Glassbreak detectors

- 9500SN

• VISTA Interactive Phone Module

- 4286 Voice Module

• Optional 24V power supply

- PS24 - 24V power supply - 3.4A

• Long range radio

- Long range radio 7720ULF-XX,
7845C, 7835CFPK

• Upgraded software

- Upgraded Compass Downloader
Windows compatible

• Wireless devices

- 5804 - Wireless Key
- 5804BD - Bi-Directional Key
- 5804BDV - Bi-Directional with voice
- 5816 - Door/Window Transmitter
- 5819 - Shock Sensor
- 5827BD - Bi-Directional Keypad
- 5849 - Glassbreak Detector
- 5881 Series - RF Receiver
supporting 5800 wireless detectors
- 5890 - PIR

• Access control

- VistaKey V-Plex (addressable)
Access Control
- VistaKey-SK Starter Kit
- VistaKey-EX Expansion Kit
- VGM Vista Gateway Module to
PassPoint Access Control
(Honeywell Access Systems)

• CCTV

- VistaView-100-CCTV Switch
Module

• Commercial wireless devices

- 5869 - Hold up Transmitter
- 5817CB - Wireless Commercial
Transmitter
- 5881ENHC - Commercial
Fire/Burg Receiver
- 5808W3 - Wireless Smoke Detector
- 5809 - Wireless Heat Detector

ORDERING

VISTA-128FB Commercial Fire and Partitioned Burglary Alarm Platform 12V Model

V128FB-24 Commercial Fire and Partitioned Burglary Alarm Platform 24V Model

For more information: www.honeywell.com/security/hsc

Automation and Control Solutions

Honeywell Security & Communications
2 Corporate Center Dr. Suite 100
Melville, NY 11747
1.800.467.5875
www.honeywell.com

L/VIS128FB/D
May 2009
© 2009 Honeywell International Inc.

Honeywell