

DH-IPC-HDW1120S

1.3MP HD Network Small IR Eyeball Camera



Features

- 1/3" 1.3Megapixel progressive scan CMOS
- H.264&MJPEG dual-stream encoding
- 25/30fps@1.3M(1280×960)
- DWDR, Day/Night(ICR), 3DNR, AWB, AGC, BLC
- Multiple network monitoring: Web viewer, CMS(DSS/PSS) & DMSS
- 3.6mm fixed lens (2.8mm, 6mm optional)
- Max. IR LEDs Length 30m
- IP67, PoE

DH-IPC-HDW1120S

Technical Specifications

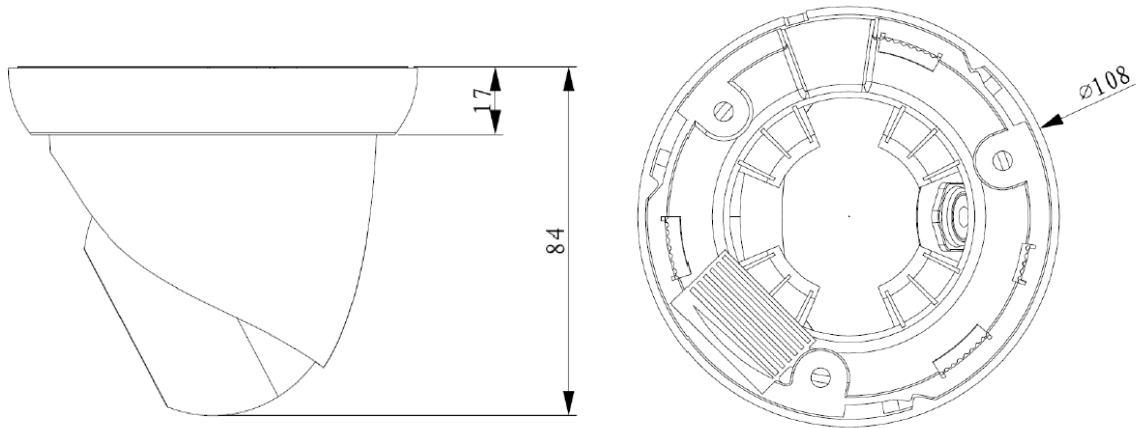
| | | |
|--------------------------|--|-------------------------|
| Model | DH-IPC-HDW1120S | |
| Camera | | |
| Image Sensor | 1/3" 1.3Megapixel progressive scan CMOS | |
| Effective Pixels | 1280(H) × 960(V) | |
| Scanning System | Progressive | |
| Electronic Shutter Speed | Auto/Manual, 1s~1/100000s | |
| Min. Illumination | 0.01Lux/F2.1(Color), 0Lux/F2.1(IR on) | |
| S/N Ratio | More than 50dB | |
| Video Output | N/A | |
| Camera Features | | |
| Max. IR LEDs Length | 30m | |
| Day/Night | Auto(ICR)/Color/B/W | |
| Backlight Compensation | BLC / HLC / DWDR | |
| White Balance | Auto/Manual | |
| Gain Control | Auto/Manual | |
| Noise Reduction | 3D | |
| Privacy Masking | Up to 4 areas | |
| Lens | | |
| Focal Length | 3.6mm(2.8mm, 6mm optional) | |
| Max Aperture | F2.1(F2.0, F1.9) | |
| Focus Control | Manual | |
| Angle of View | H: 71°(89°, 47°) | |
| Lens Type | Fixed lens | |
| Mount Type | Board-in Type | |
| Video | | |
| Compression | H.264/ H.264H/ H.264B/ MJPEG | |
| Resolution | 1.3M(1280x960)/720P(1280×720)/ D1(704×576/704×480) / CIF(352×288/352×240) | |
| Frame Rate | Main Stream | 1.3M/720P(1 ~ 25/30fps) |
| | Sub Stream | D1(1 ~ 25/30fps) |
| Bit Rate | H.264: 4kbps~8192bps | |
| Corridor Mode | Support | |
| Audio | | |
| Compression | N/A | |
| Interface | N/A | |
| Network | | |
| Ethernet | RJ-45 (10/100Base-T) | |
| Wi-Fi | N/A | |
| Protocol | IPv4/IPv6, HTTP, HTTPS, SSL, TCP/IP, UDP, UPnP, ICMP, IGMP, SNMP, RTSP, RTP, SMTP, NTP, DHCP, DNS, PPPOE, DDNS, FTP, IP Filter, QoS, Bonjour | |
| Compatibility | ONVIF, CGI | |

DH-IPC-HDW1120S

| | |
|----------------------------|--------------------------------------|
| Max. User Access | 20 users |
| Smart Phone | iPhone, iPad, Android, Windows Phone |
| Auxiliary Interface | |
| Memory Slot | N/A |
| RS485 | N/A |
| Alarm | N/A |
| PIR Sensor Range | N/A |
| General | |
| Power Supply | DC12V, PoE (802.3af) |
| Power Consumption | <3.8W |
| Working Environment | -30°C~+60°C, Less than 95% RH |
| Ingress Protection | IP67 |
| Vandal Resistance | N/A |
| Dimensions | Φ108mm×84mm |
| Weight | 0.25Kg(with package 0.38Kg) |

DH-IPC-HDW1120S

Dimensions (mm)



Accessories (optional)

| | | |
|--|---|--|
|  |  |  |
| PFA122 | PFB200W | PFA152 |

Dahua Technology Co., Ltd.

1187BinAn Road, Binjiang District, Hangzhou, China

Tel: +86-571-87688883

Fax: +86-571-87688815

Email: overseas@dahuatech.com

www.dahuatech.com

*Design and specifications are subject to change without notice.

© 2015 Dahua Technology Co., Ltd.