

DH-SD6523E/36E-H

23x/36x Quick-installation PTZ Dome Camera



Features

- Powerful 23x/36x optical zoom
- High resolution@650TVL
- DWDR, Day/Night (ICR), DNR (2D&3D), Auto iris, Auto focus, AWB, AGC, BLC
- Max 400 °/s pan speed, 360° continuous pan rotation
- Up to 255 presets, 5 auto scan, 8 tour, 5 pattern
- Built-in 7/2 alarm in/out
- Support intelligent 3D positioning with DH-SD protocol
- IP67, easy-installation

DH-SD6523E/36E-H

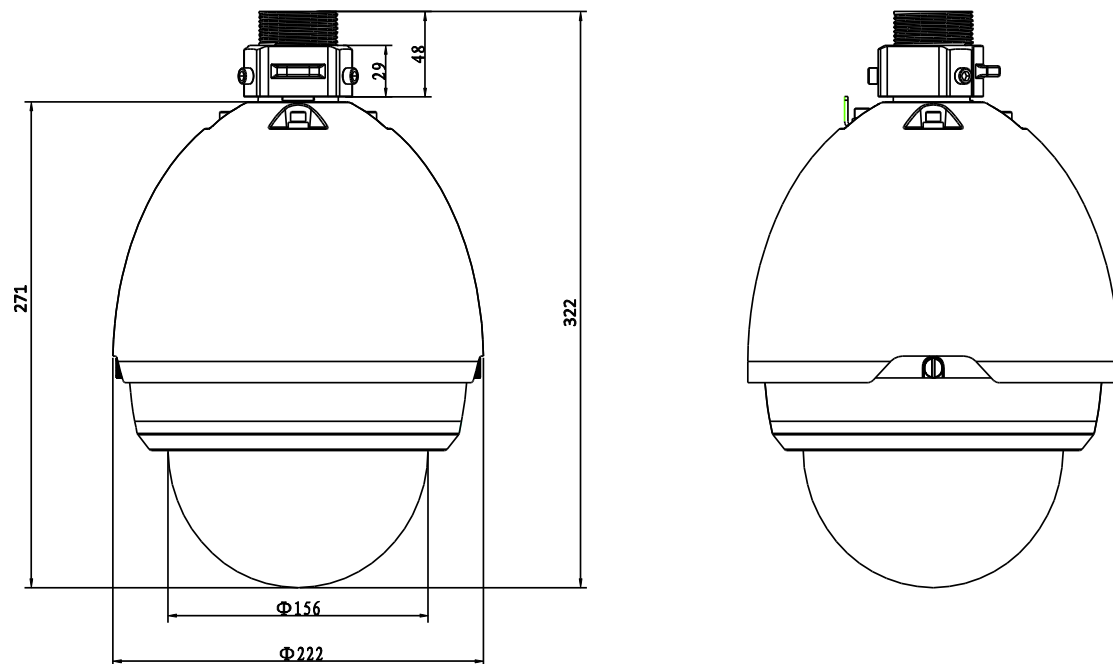
Technical Specifications

Model	DH-SD6523E-H	DH-SD6536E-H
Camera		
Image Sensor	1/4" EXview HAD CCD II	
Effective Pixels	976(H) × 582(V) / 976(H) × 494(V)	
Horizontal Resolution	Color: 650TVL; B/W: 700TVL	
Scanning System	Interlacing	
Electronic Shutter Speed	1/1s ~ 1/100,000s	
Min. Illumination	Color: 0.01 Lux/F1.6; B/W: 0.001Lux/F1.6	
S/N Ratio	More than 50dB	
Video Output	BNC(1.0Vp-p/75Ω), PAL / NTSC	
Camera Features		
Day/Night	Auto(ICR) / Color / B/W	
Backlight Compensation	BLC / HLC / DWDR (Digital WDR)	
White Balance	Auto, ATW, Indoor, Outdoor, Manual	
Gain Control	Auto / Manual	
Noise Reduction	2D / 3D	
Privacy Masking	Up to 24 areas	
Digital Zoom	16x	
Lens		
Focal Length	3.9mm~89.7mm (23x Optical zoom)	3.4mm~122.4mm (36x Optical zoom)
Max Aperture	F1.6~ F3.7	F1.6~ F4.5
Focus Control	Auto / Manual	
Angle of View	H: 61.68° ~ 3.06°	H: 57.8°~1.7°
Close Focus Distance	100mm~1000mm	
PTZ		
Pan/Tilt Range	Pan: 0° ~ 360° endless; Tilt: -2° ~ 90°, auto flip 180°	
Manual Control Speed	Pan: 0.1° ~ 300°/s; Tilt: 0.1° ~ 250°/s	
Preset Speed	Pan: 400°/s; Tilt: 300°/s	
Preset	80(DH-SD), 255(Pelco-P/D)	
PTZ Mode	5 Pattern, 8 Tour, Auto Pan, Auto Scan	
Speed Setup	Human-oriented focal length/ speed adaptation	
Power up Action	Auto restore to previous PTZ and lens status after power failure	
Idle Motion	Activate Preset/Pan/Scan/Tour/Pattern if there is no command in the specified period	
Time Task	Auto activation of Preset/Pan/Scan/Tour/Pattern by preset-time	
Protocol	DH-SD, Pelco-P/D (Auto recognition)	
Auxiliary Interface		
RS485	1 port	

DH-SD6523E/36E-H

Alarm	7/2 channel In/Out
General	
Power Supply	AC24V/3A (±10%), DC12V optional
Power Consumption	12W, 37W(Heater on)
Working Environment	-40°C ~ 60°C / Less than 90% RH
Ingress Protection	IP67
Vandal Resistance	IK10
Dimensions	Φ222(mm) x 322(mm)
Weight	5.0kg

Dimensions (mm)



DH-SD6523E/36E-H

Accessories

		
DH-69FB	DH-PFA111	Power Supply

Accessories (Optional)

					
PFB300C	PFA112	PFA113	PFA120	PFA150	PFA151

Dahua Technology Co., Ltd.

1199 BinAn Road, Binjiang District, Hangzhou, China

Tel: +86-571-87688883

Fax: +86-571-87688815

Email: overseas@dahuatech.com

www.dahuasecurity.com

*Design and specifications are subject to change without notice.

© 2014 Dahua Technology